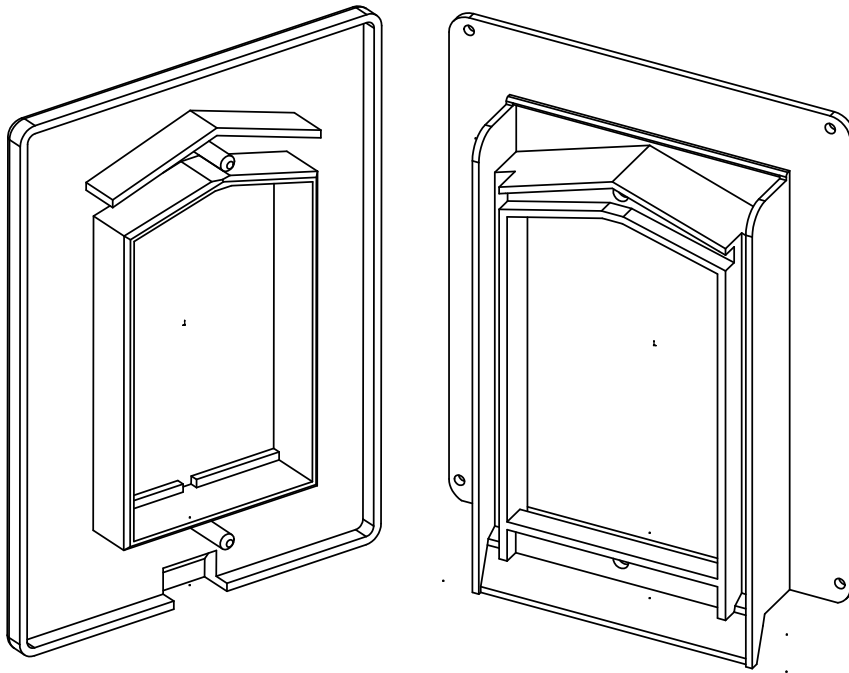


RAINDOG INC. PLUG MOUNTING BRACKET



Approximate size 4.5" by 6.5"
Copolymer u.v. stabilized polypropylene
Average wall thickness .09"
Double water seal system
Hole made for 2.25" by 3.5" receptacle

Raidog plug mounting bracket