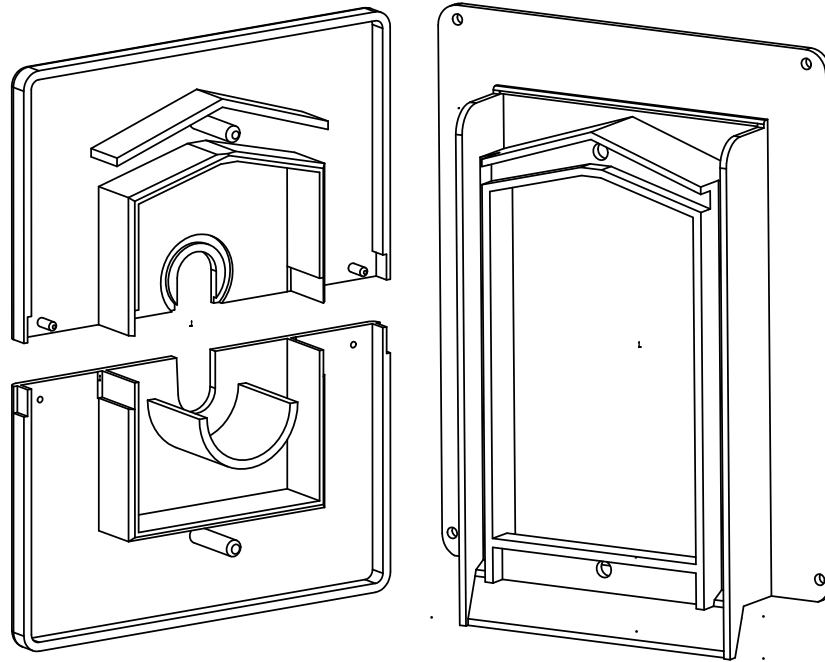


## RAINDOG INC. SPLIT HOSEBIB MOUNT



Approximate face size 4.5" by 6.5"  
Copolymer u.v. stabilized polypropylene  
Average wall thickness .09"  
Double water seal system  
Hole sized for 1/2" pipe, larger sizes easy knockout  
Split system shingles together for easy installation over existing  
hosebib or gas line etc..  
Backing rib prevents collapse of mounting face due to  
overtightening of hose bib screws

Raindog hosebib mount